

Avance Elan Recessed shower control



Data

Thermostatic shower mixing valve – BuildCert TMV3 Scheme (D08)
Dual control operation with separate temperature and on-off control
and optional lever version

Temperature setting range – 37 to 43°C
Normal control temperature – 41°C (adjustable)
Maximum hot supply temperature – 90°C
Temperature differential – 10°C (cold water failsafe)
Recommended working pressure – 0.2 to 3.0 Bar
Pressure Min / Max – 0.2 to 5.0 Bar
Maximum differential – Compliant to DO8
spec.(BS EN 1111)

Inlet Connections (swivel unions) – 15 mm compression
Outlet Connection/Top or Bottom – 15 mm with 8.5 L/min flow
regulator

Pipe centres – 150 mm
Avance Elan spares kit – Code no. TBA

Materials

Valve Body / control knobs – DZR brass, chrome plate finish
Thermostatic Element – Copper

Code numbers

551311 – Avance Elan thermostatic shower Recessed, chrome
551311L – Avance Elan thermostatic shower, Recessed Lever, chrome
651311 – Avance Elan thermostatic shower, Recessed with
Contract shower kit
651311L – Avance Elan thermostatic shower, Recessed Lever with
Contract shower kit
Avance Elan is also available for Exposed applications
– see separate datasheet.

Approved applications

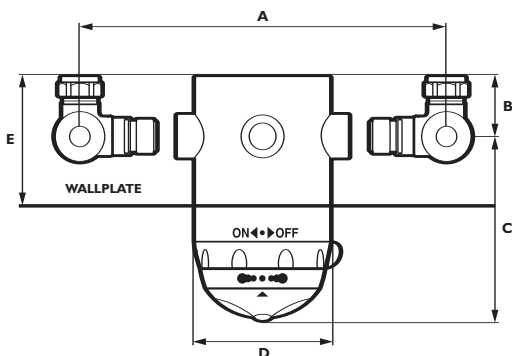
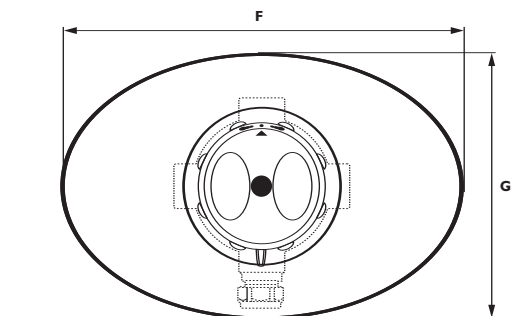
HP-S – High pressure Shower
LP-S – Low pressure Shower
Approval number – BC 295 / 1007
WRAS listed no. – 0710011

Application

The Avance Elan thermostatic shower mixing valve offers dual control operation and is ideally suited for single point shower applications where durability and high performance is essential. The modern stylish design and superior performance makes the Avance Elan a natural choice for hotels, university halls of residence, health & elderly care establishments, sports & leisure facilities and in private homes. The Avance Elan is suitable for vented or unvented systems and with combi-boilers and can be used with a range of fixed heads or flexible shower kits.

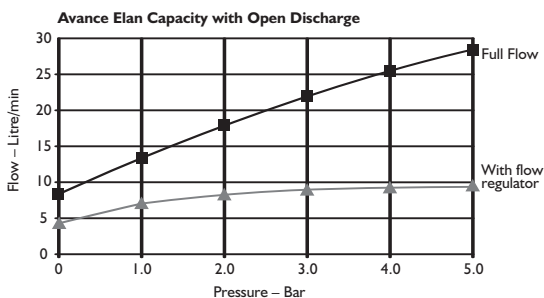
How to specify

551311 – Avance Elan thermostatic shower, Recessed, chrome
551311L – Avance Elan thermostatic shower, Recessed Lever, chrome
651311 – Avance Elan thermostatic shower, Recessed with
Contract shower kit
651311L – Avance Elan thermostatic shower, Recessed Lever with
Contract shower kit



- A. 150 mm E. 60-80 mm
B. 35 mm F. 225 mm
C. 105.5 mm G. 150 mm
D. Ø79 mm H. 70 mm

Capacity with open outlet



Avance Elan Exposed shower control



Data

Thermostatic shower mixing valve – BuildCert TMV3 Scheme (D08)
Dual control operation with separate temperature and on-off control
and optional lever version

Temperature setting range	– 37 to 43°C
Normal control temperature	– 41°C (adjustable)
Maximum hot supply temperature	– 90°C
Temperature differential	– 10°C (cold water failsafe)
Recommended working pressure	– 0.2 to 3.0 Bar
Pressure Min / Max	– 0.2 to 5.0 Bar
Maximum differential	– Compliant to DO8 spec.(BS EN 1111)

Inlet Connections (swivel unions) – 15 mm compression
Outlet Connection/Top or Bottom – 15 mm with 8.5 L/min flow regulator

Pipe centres – 150 mm
Avance Elan spares kit – Code no. TBA

Materials

Valve Body / control knobs – DZR brass, chrome plate finish
Thermostatic Element – Copper

Code numbers

551301 – Avance Elan thermostatic shower Exposed, chrome
551301L – Avance Elan thermostatic shower Exposed Lever, chrome
651301 – Avance Elan thermostatic shower Exposed, with Contract shower kit
651301L – Avance Elan thermostatic shower Exposed Lever, with Contract shower kit
Avance Elan is also available for Recessed applications – see separate datasheet.

Approved applications

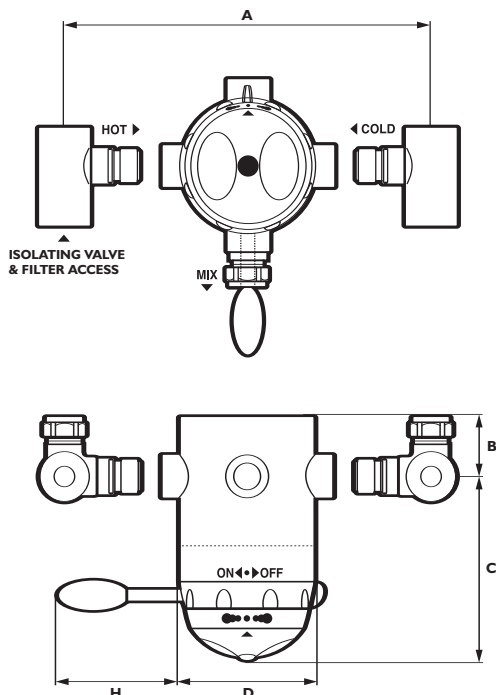
HP-S – High pressure Shower
LP-S – Low pressure Shower
Approval number – BC 295 / 1007
WRAS listed no. – 0710011

Application

The Avance Elan thermostatic shower mixing valve offers dual control operation and is ideally suited for single point shower applications where durability and high performance is essential. The modern stylish design and superior performance makes the Avance Elan a natural choice for hotels, university halls of residence, health & elderly care establishments, sports & leisure facilities and in private homes. The Avance Elan is suitable for vented or unvented systems and with combi-boilers and can be used with a range of fixed heads or flexible shower kits.

How to specify

551301 – Avance Elan thermostatic shower Exposed, chrome
551301L – Avance Elan thermostatic shower TMV3 Exposed Lever, chrome
651301 – Avance Elan thermostatic shower Exposed, with Contract shower kit
651301L – Avance Elan thermostatic shower Exposed Lever, with Contract shower kit



A. 150 mm	E. 60-80 mm
B. 35 mm	F. 225 mm
C. 105.5 mm	G. 150 mm
D. Ø79 mm	H. 70 mm

Capacity with open outlet

