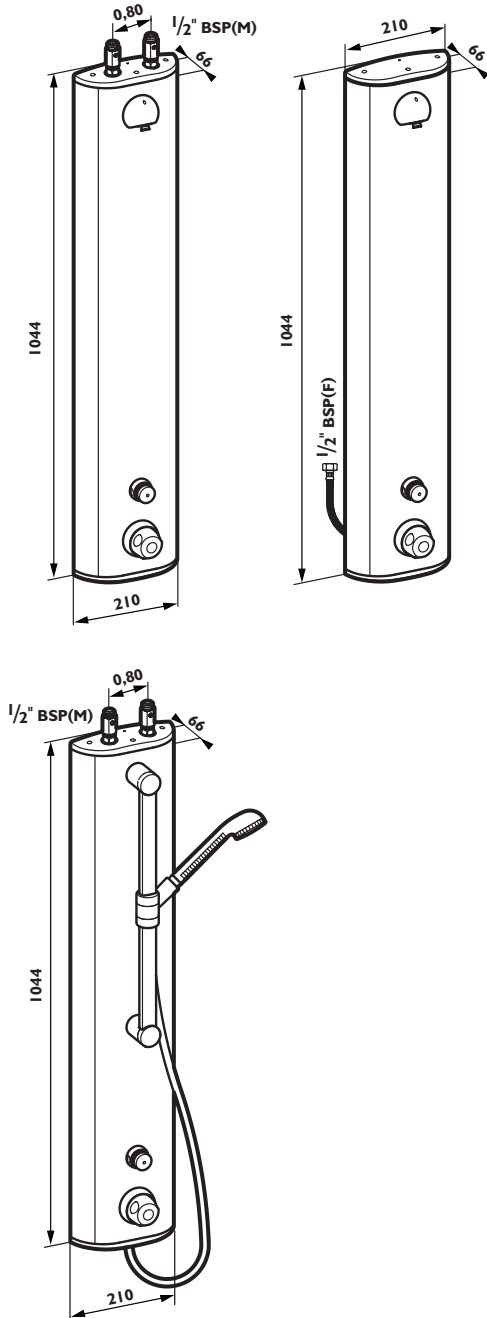


**Thermostatic shower panel  
surface mounted****Data**

Thermostatic shower panel in brushed aluminium finish with Tempostop control and vandal proof shower heads.  
 1/2" BSP(M) inlet connections, non-return valves and filters.

**Code numbers**

792300 - surface mounted with round anti-vandal head.  
 792310 - surface mounted with back entry connectors.  
 792350 - surface mounted with flexible shower set.

**Description**

Pre-assembled brushed aluminium panel, with integral thermostatic control and auto shut-off valve and a vandal-proof fixed shower head with incorporated scale-proof nozzle. Angle of spray is adjustable but can be locked by the installer.

Shut-off delay ~30 sec. (+5 / -10 sec.), self-cleaning mechanism.  
 Flow-regulator 8 L/min.

For top, bottom or rear entry connections.

Supplied with pre-installed stainless steel flexibles connectors, filters and stop valves.

**Advantages**

Vandal resistant: stainless steel frame with vandal-proof fixing, and blocked ends prevents access to the back of the panel.

Shower valve and shower head cannot be removed by the user.  
 Water saving: more than 60% water and energy reduction through automatic shut-off and regulated flow-rate at 8 litres per minute.

Comfort and safety: full thermostatic control prevents accidental scalding and contoured panel reduces injury risk.

Temperature is user adjustable and the maximum temperature can be preset by the installer.

Quick installation: 4 stainless steel screws secure frame.

**How to specify**

Thermostatic shower panel in brushed aluminium finish with Tempostop control and vandal proof shower heads - top entry.  
 Code no. 792300

Thermostatic shower panel in brushed aluminium finish with Tempostop control and vandal proof shower heads - back entry.  
 Code no. 792310

Thermostatic shower panel in brushed aluminium finish with Tempostop control and flexible height shower kit - top entry.  
 Code no. 792350

Dimensions in mm