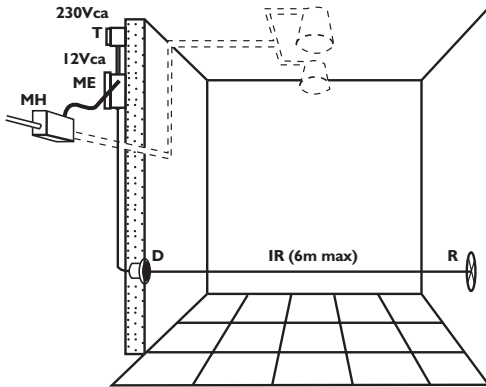


Tempomatic Reflex shower barrier



Data

Tempomatic Reflex infrared electronic barrier for shower corridor or hygienic foot bath, including:

- Lateral detector (D) detection distance 6m maximum, with reflector (R).
- Electronic unit (ME) with solenoid valve $\frac{3}{4}$ " (MH) and stop cock.
- Transformer 230/12 V (T).

Code numbers

449620 - Tempomatic Reflex with concealed detector.

449150 - Tempomatic Reflex with recessed detector through the wall 150mm thick.

Description

When the user breaks the infrared barrier, the solenoid valve opens for 10-60 seconds according to the pre-set flow time. As soon as a user breaks the barrier again, even during operation, the cycle recommences. Tempomatic Reflex can supply up to 5 shower heads or foot sprays.

Advantages

- Highly vandal-proof resistant: especially designed to comply with intensive use in all public places.
 - Fixing locked by stainless steel screw.
- More than 60% water and energy saving.
- Hygiene - automatic pre-rinse barrier shower operation for swimming pool and healthcare applications.

How to specify

Tempomatic Reflex shower barrier control with concealed detector. Code no. 449620

Tempomatic Reflex shower barrier control with crosswall detector < 150mm Code no. 449150