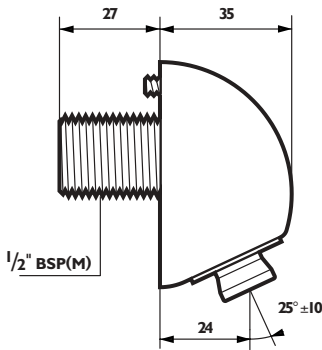


### Round anti-vandal shower head (anti ligature)



#### Data

Round anti vandal shower head with scale proof nozzle and regulated flow rate.

Materials	– Brass, chrome finish
Connections back entry	– 1/2" BSP(M)
Recommended pressure	– 1.0 to 5 Bar
Regulated flow	– 8 L/min

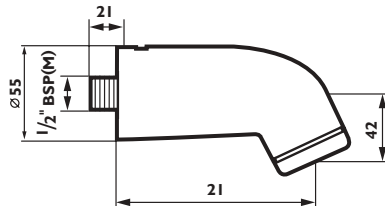
The round anti-vandal shower head has no stored water after the shower has shut off, reducing the legionella risk. The nozzle jet design reduces scale build up, minimising cleaning and maintenance.

The 'auto drain' anti-vandal shower head is designed to 'dump' residual water after shut off and is supplied in a matt chrome finish.

Materials	– Brass, chrome finish
Connections back entry	– 1/2" BSP (M)
Recommended pressure	– 0.8 to 5 Bar
Flow at 0.8 Bar	– 9 L/min
Flow at 3.0 Bar	– 18 L/min

Flow regulators can be incorporated into the water supply to reduce water and energy costs.

### Anti-vandal shower head (auto-drain)



#### Code numbers

709000 - Round anti vandal shower head.

208011 - Anti-vandal shower head (*auto-drain*).

#### Application

Designed for use with thermostatic and time flow shower controls. The round anti-vandal shower head offers regulated flow at 8 L/min and adjustments of spray angle.

Anti-vandal shower head (*auto-drain*) dumps residual water after shut off.

#### How to specify

Round anti-vandal shower head - back entry.

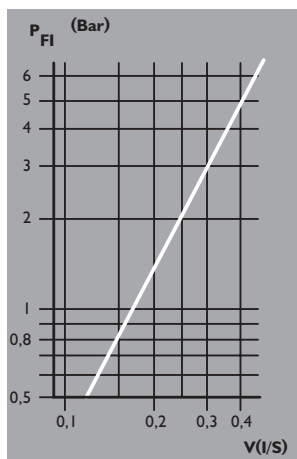
Code no. 709000

Anti-vandal shower head (*auto-drain*) - back entry.

Code no. 208011

### Anti-vandal shower head (auto-drain)

#### Flow diagram. (factory settings)



Dimensions in mm