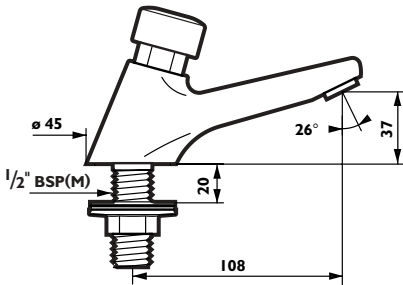
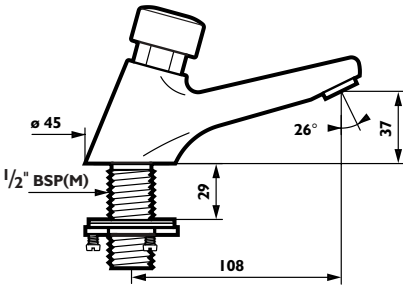


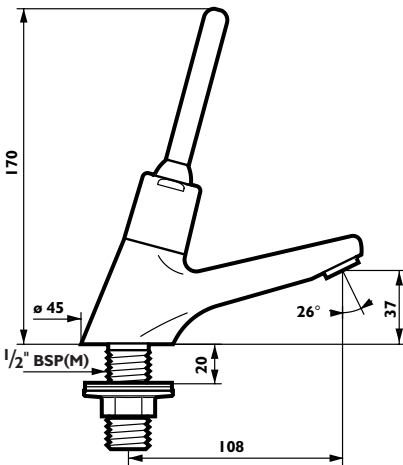
Tempostop basin tap



Tempostop AB (anti blocking) basin tap



Tempostop lever operated



Data

Tempostop and Tempostop AB are timed flow basin taps and provide effective water savings.

Automatic shut-off basin tap

- Adjustable flow rate, pre-set 6 L/min. Flow straightener.
- Body in chrome-plated brass.

Code numbers

745250 - Tempostop time flow basin tap - 15 secs nom.

745450 - Tempostop time flow basin lever tap - 15 secs nom.

745301 - Tempostop AB time flow basin tap - 15 secs nom. with re-inforced fixings.

Pressures and flow-rates

Dynamic pressure	bar	0.5	1	2	3	4	5
Maximum adjustable flow-rate	l/s	0.14	0.20	0.30	0.36	0.40	0.44

Recommended pressure: 0.3 to 5 bar

Description

Automatic shut-off basin tap Tempostop also available Tempostop Lever operated basin tap.

- Pre-set flow rate 6 L/min, adjustable by the installer without dismantling the mechanism or cutting-off water.
- Shut-off delay ~ 15sec. (± 5 sec).
- Tamperproof flow-straightener.
- Reinforced fixing.
- Safe water temperatures.

Basin taps and mixers should always be used in conjunction with an appropriate thermostatic mixing valve to provide a safe maximum water temperature.

Advantages

- Vandal resistant: designed for intensive use in public places.
 - Reinforced fixing (*standard feature in Tempostop AB*).
- Tempostop AB has Anti Block feature, where flow only commences after the push button has been released.
- More than 60% water and energy savings. Limited flow-rate and automatic shut-off.
- Comfort: smooth opening. No splashing due to the adjustable flow-rate without dismantling the mechanism isolating water (*DELABIE patented*).

How to specify

Tempostop timeflow basin tap timing - 15 secs nom.

Code no. 745250

Tempostop timeflow basin lever tap - 15 secs nom.

Code no 745450

Tempostop AB time flow basin tap with re-inforced fixings.

Code no. 745301

Dimensions in mm