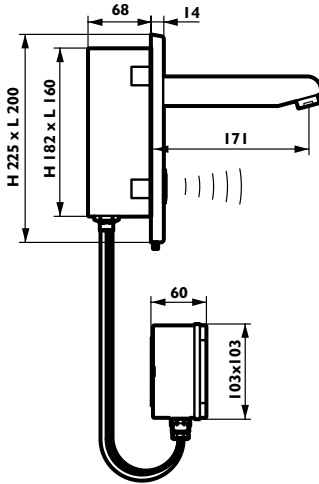


Tempomatic wall recessed



Data

Tempomatic wall electronic control tap with recessing case. Infrared detection of presence.

Vandal proof recessing box with stainless steel wall front, including electronic control box, solenoid valve 1/2" BSP(M) with filter, flexible connector and stop valve.

- Fixed spout chrome plated L. 170mm.
- Separate electronic control box with transformer 230/12 V.
- Regulated flow-rate 6 L/min., scale proof aerator.

Tempomatic through the wall recessed electronic control tap

Detection of presence sensor for wall ≤ 150 mm.

- Chrome plated fixed spout L. 185mm for wall ≤ 150 mm (with anti-rotation stop-pin).
- Regulated flow-rate 6 L/min., scale proof aerator.
- Solenoid valve 12V 1/2" BSP(M) with filter.
- Main powered (integrated transformer 230/12V).

Safe water temperatures.

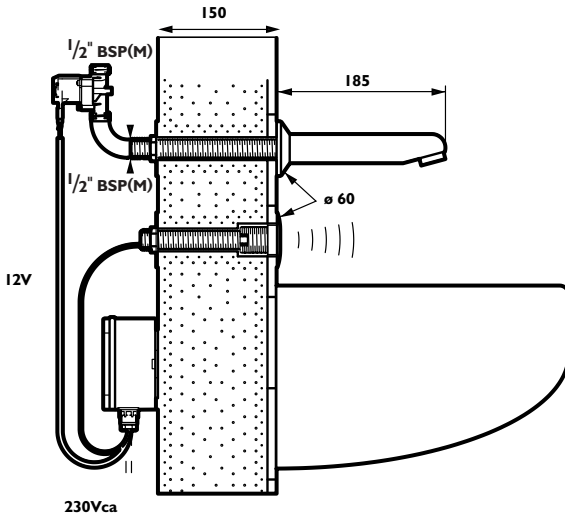
Basin taps and mixers should always be used in conjunction with an appropriate thermostatic mixing valve to provide a safe maximum water temperature.

Code numbers

447500 - Tempomatic electronic basin tap - recessed with satin stainless steel front plate with chrome spout.

441157 - Tempomatic electronic basin tap - crosswall with chrome spout.

Tempomatic through the wall basin tap



Technical specifications

- Recommended pressures – 0.5 to 5 bar.
- Maximum pressure – 8 bar.
- Maximum temperature supply – 70°C.
- Balance pressures – CW and HW ($\Delta P < 1$ bar).
- If necessary, protect the whole installation with cartridge filters and pressure reducing valves.
- Water-proof electronic control box/cartridge.
- Corrosion-proof solenoid valves.
- CE Mark Electronic controls are CE certified according to the European Directive CEM89/336/CEE art.10.2

How to specify

Tempomatic electronic basin tap - recessed with satin stainless steel front plate and chrome spout. Code no. 447500

Tempomatic electronic basin tap - crosswall with chrome spout. Code no. 441157

Dimensions in mm