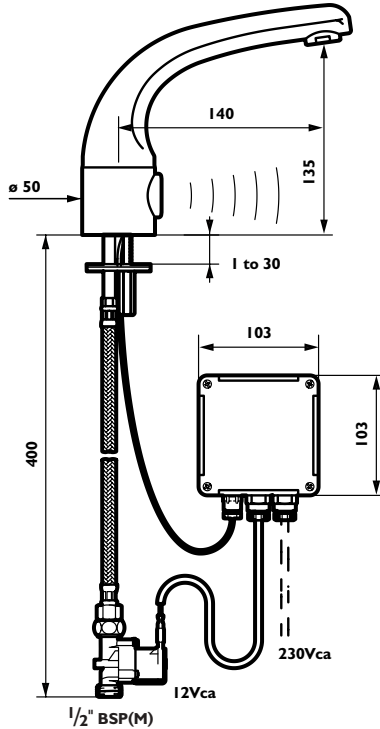


#### Tempomatic and Tempomatic mix electronic basin tap



#### How to specify

Tempomatic Mix electronic basin mixer - Mains 230/12V.  
Code no. 495000

Tempomatic Mix electronic basin mixer. Battery operation 6Vdc.  
Code no. 495006

Tempomatic electronic basin tap - Mains 230/12V.  
Code no. 445000

Tempomatic electronic basin tap. Battery operation 6Vdc.  
Code no. 442006

#### Data

Tempomatic electronic basin tap, for mains or 6V Lithium batteries, solenoid valve and electronic control all integrated in the body of the tap.

- Infrared detection of presence.
- Regulated flow-rate 6 L/min., scale proof aerator.
- Stainless steel flexible inlets with filters. 1/2" BSP(M)
- Solid chrome-plated body with reinforced fixing.
- Anti-blocking in flow safety devices.
- Spout can be demounted for cleaning and sterilisation in healthcare and other critical environments.

#### Code numbers

495000 - Tempomatic Mix electronic basin mixer - Mains 230/12V.  
495006 - Tempomatic Mix electronic basin mixer.

Battery operation 6Vdc.

445000 - Tempomatic electronic basin tap - Mains 230/12V.  
442006 - Tempomatic electronic basin tap. Battery operation 6Vdc.

#### Technical specifications

- Recommended pressures – 0.5 to 5 bar.
- Maximum pressure – 8 bar.
- Maximum temperature supply – 70°C.
- Balance pressures – CW and HW ( $\Delta P < 1 \text{ bar}$ ).
- If necessary, protect the whole installation with cartridge filters and pressure reducers.
- Water-proof electronic control box/cartridge.
- Corrosion-proof solenoid valves.
- CE Mark Electronic controls are CE certified according to the European Directive CEM89/336/CEE art.10.2
- Safe water temperatures.

Basin taps and mixers should always be used in conjunction with an appropriate thermostatic mixing valve to provide a safe maximum water temperature.

#### Mains powered control box

- Operating voltage – 230 V (50 Hz)
- Min / Max. operating voltage – 210 –240 V
- Consumption (on standby) – 1 W/hour
- Consumption (in operation) – 30 W/day (200 operations)

Connection between sensor and electronic control box is made through an anti interference screened wire. Note: the wire should not be lengthened. Other lengths are available on request (up to 5 metres)

#### Battery powered control box

- Operating voltage – 6 Vdc
- 2 off Lithium Batteries – 2 x 3V type 123A
- Estimated life – 250,000 to 300,000 operations

Connection between sensor and electronic control box is made through an anti interference screened wire. Note: the wire should not be lengthened. Other lengths are available on request (up to 5 metres)

Dimensions in mm