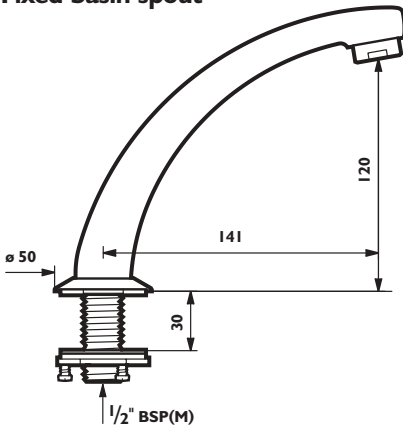


Fixed basin spout



Data

Fixed basin Spout chrome plated casted brass.

- Spout L. 140, reinforced fixing by 3 stainless steel screws
- Water saving scale proof flow restrictor 6 L/min.

Wall Spout ø32 in chrome plated brass.

- Water saving scale proof flow restrictor 6 L/min.

Code numbers

204005 - Fixed basin spout.

204120 - Wall mounted spout panel chrome. L= 120mm.

204170 - Wall mounted spout panel chrome. L= 170mm.

Pressures and flow-rates

| | | | | | | | |
|--------------------------------|-----|---------------|------|------|------|------|------|
| • Dynamic pressure | bar | 0.5 | 1 | 2 | 3 | 4 | 5 |
| • Maximum adjustable flow-rate | l/s | 0.14 | 0.20 | 0.30 | 0.36 | 0.40 | 0.44 |
| • Recommended pressure: | | 0.3 to 5 bar. | | | | | |

Description

- Flow-straightener unscrewable by the user.
- Reinforced fixing.

Advantages

Vandal resistant: designed for intensive use in public places, reinforced fixing.

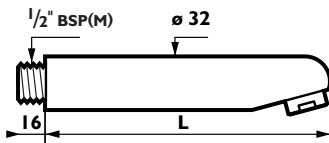
How to specify

Fixed basin spout - chrome. Code no. 204005

Wall mounted spout panel - chrome. L= 120mm. Code no. 204120

Wall mounted spout panel - chrome. L= 170mm. Code no. 204170

Wall mounted spout - panel



Dimensions in mm