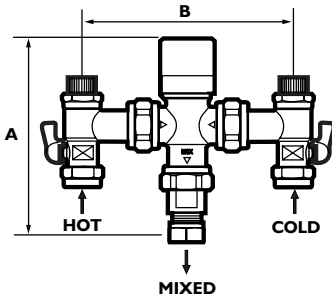


Hydromix Combi thermostatic mixing valve



Hydromix 15/3

A. 135mm

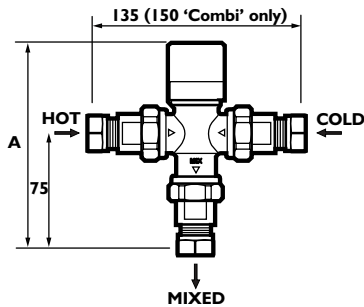
B. 135mm

Hydromix 22/3

A. 150mm

B. 150mm

Hydromix thermostatic mixing valve

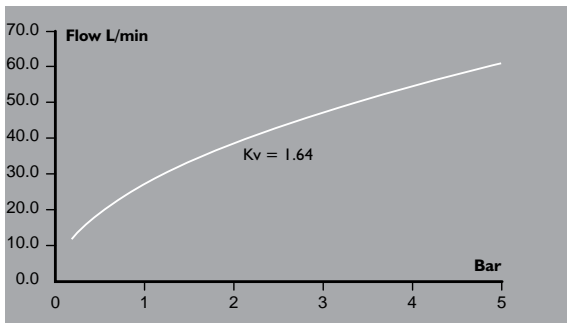


Hydromix 15/3

A. 135mm

Hydromix 22/3

A. 150mm



How to specify

15mm Hydromix 15/3 thermostatic mixing valve.

Code no. 983015

15mm Hydromix 15/3 Combi thermostatic mixing valve.

Code no. 993015

22mm Hydromix 22/3 thermostatic mixing valve.

Code no. 983022

22mm Hydromix 22/3 Combi thermostatic mixing valve.

Code no. 993022

Dimensions in mm

All measurements exclude nuts and olives

Data

Licensed Type 3 mixing valves. Hydromix thermostatic mixing valves available in standard and combi formats for 15 and 22mm and has been independently tested and certified in line with NHS Model Engineering Specification DO8, both for technical performance and materials of construction. Certificate no ETC/213/0403. WRAS listed no. 0204118

Designated applications

HP/LP-B

HP/LP-S

HP/LP-W

HP-T44

- High / low pressure bidet
- High / low pressure shower
- High / Low pressure wash basin
- High pressure bath fill up to 44°C

Connections

Hydromix 15/3

- 15mm Compression

Hydromix 22/3

- 22mm Compression

The use of Keysafe isolating ball valve strainers are recommended with the above versions. Hydromix Combi versions are supplied complete with 4 in 1 angle inlet connectors incorporating stainless steel mesh strainers, non return valves, 1/4" BSP pressure tapping point and 1/4 turn lever ball valves.

Materials

Body

- DZR brass, chrome plate finish

Valve

- DZR brass, chrome plate finish

Element

- Copper

Non return valve

- Hostaform plastic

Top Cover

- Plastic

Code numbers

983015 - 15mm Hydromix 15/3 thermostatic mixing valve to NHS DO8 spec.

993015 - 15mm Hydromix 15/3 Combi thermostatic mixing valve to NHS DO8 spec.

983022 - 22mm Hydromix 22/3 thermostatic mixing valve to NHS DO8 spec.

993022 - 22mm Hydromix 22/3 Combi thermostatic mixing valve to NHS DO8 spec.

Application

The Hydromix thermostatic mixing valves are licensed for use with wash hand basins, showers and bidets in Healthcare applications under the requirements of the NHS Estates DO8 specification.

Hydromix thermostatic mixing valves can be used in any high risk application where it is necessary to reduce hot water temperatures at wash hand basins, showers or bidets and baths to limit the risk of accidental scalding. This is especially important in school sports centres, factories, prisons, etc., where normal hot water temperatures (60° C) can cause serious burns.