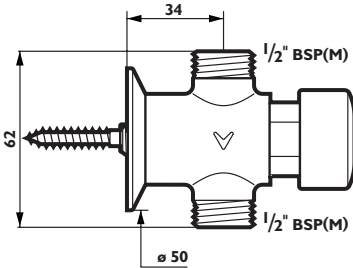
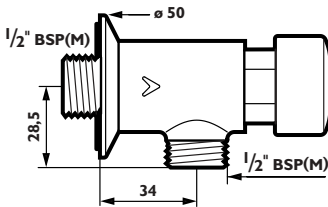


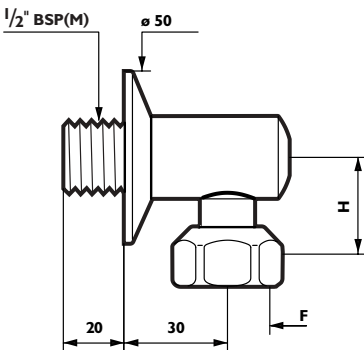
### Tempostop urinal exposed straight



### Tempostop urinal exposed angle



### Urinal inlet connector



Dimensions in mm

### Data

Tempostop urinal provides automatic shut-off valve for common urinal or stall

- Solid brass body chrome plated.
- Shut-off delay ~7 sec. nom.
- Pre-set flow-rate 0.15 l/sec., adjustable by the installer without removing the valve or isolating water.
- Connections 1/2" BSP(M).

### Code number

777000 - Tempostop urinal straight, inline connection.

778000 - Tempostop urinal angled 1/2" BSP(M), for concealed inlet.

For Siphon action urinals

779000 - Tempostop urinal straight 3/4" BSP(M), adjustable flow rate.

779100 - Tempostop urinal straight 3/4" BSP(M), recommended for low pressure applications, non-adjustable flow rate.

836015 - Angled inlet elbow with stop valve.

824800 - A Circular wall plate is available for heavy duty use in public areas.

### Pressures and flow-rates

• Dynamic pressure	bar	0.5	1	2	3	4
1/2" model						
• Max. flow-rate	l/s	0.17	0.23	0.31	0.36	0.43
• Recommended pressure (dynamic)		0.5 to 4 bar				

### Description

Automatic shut-off push-button valve for urinal.

- Shut-off delay ~7 sec.
- Pre-set flow-rate 0,15 l/sec adjustable by the installer without removing the valve or cutting-off water.

### Advantages

- Vandal resistant designed for intensive use in public places, chrome plated body, shock-and vandalproof mechanism.
- More than 50% water saving. Flow-rate is regulated and automatic shut-off.
- Comfort: no splashing: the flow-rate is adjustable without dismantling the mechanism or cutting-off water.
- Low maintenance - Interchangeable cartridge mechanism
- Durable - tested to more than 500,000 operations.

### How to specify

Tempostop urinal straight exposed pattern - 1/2" BSP(M) - 7 sec auto shut off valve. Code no. 777000

Tempostop urinal angle exposed pattern - 1/2" BSP(M) - 7 sec auto shut off valve. Code no. 778000

Angled inlet connector with stop valve. Code no. 836015