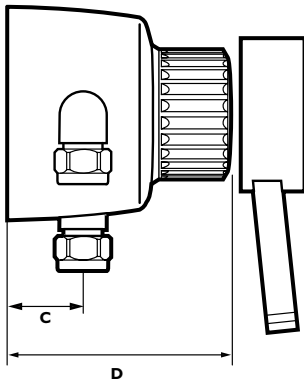
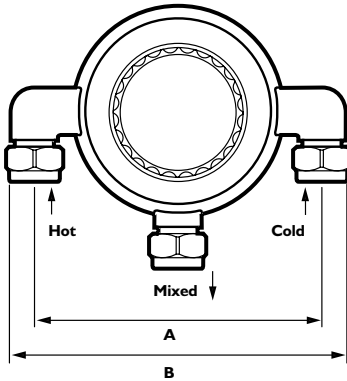
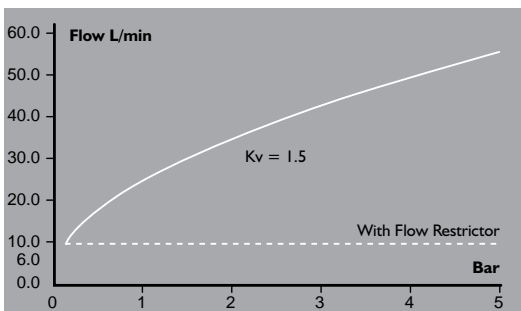


Avance Elite exposed lever operated shower control



- A. 135-145mm
- B. 178mm max
- C. 36.5mm
- D. 115mm

Capacity with open discharge (with no terminal fittings)



Data

- Thermostatic shower mixing valve licence type 3.
- Maximum temperature – 90°C
- Recommended pressure – 0.15 to 3.0 Bar
- Maximum pressure – 10 Bar
- Maximum differential – Compliant to DO8 spec. (BS 7942)
- Normal control temperature – 41°C (adjustable)
- Single control lever operation through cold to maximum set temperature.
- Temperature differential – 10°C (cold water failsafe)
- Connections (swivel unions) – 15mm compression
- N.R.V's fitted to hot & cold inlets

NOTE - hot and cold inlets must be connected correctly. Top or bottom outlet 10L/min flow regulator fitted in outlet connector. Full spares kit available. Code no. 500427

The use of isolating ball valve strainers is recommended with these valves.

Materials

- Body – DZR brass
- Cover – ABS plastic, chrome plate
- Knob – ABS plastic, chrome plate
- Lever – ABS plastic, chrome plate
- Element – Copper

Code numbers

351501L - Avance Elite with lever operation surface mounted, chrome finish.

Approved applications

HP-S, LP-S, and LP-SE with flow regulator fitted. Approved to DO8 spec. no. ETC/BC 104/0804 WRAS listed no. 0406086

Application

The Avance Elite thermostatic shower mixing valve with its lever control option offers an ideal solution for health care, homes for the elderly or for people with disability. A single lever provide on/off control and full temperature adjustment up to a same maximum temperature. Suitable for vented or unvented systems and with combi boilers.

The Avance Elite can be used with Douglas flexible height or rigid shower sets. Flexible shower sets are multi mode design with 4 varying spray patterns.

Hose connections – 1/2" BSP(F) to outlet port on the shower valve and hand set. Set includes chrome wall outlet.

Multi mode shower kit only, chrome finish. Code no. 207004
Chrome finish with 2m hose. Code no. 207004A

How to specify

Avance Elite thermostatic shower valve exposed lever control, chrome finish. Code no. 351501L

Multi Mode shower set only, chrome finish. Code no. 207004

Multi Mode shower set, chrome finish with 2m hose. Code no. 207004A