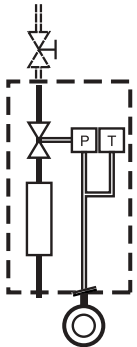
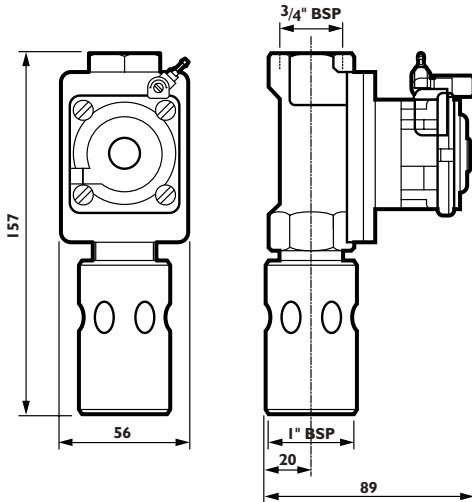
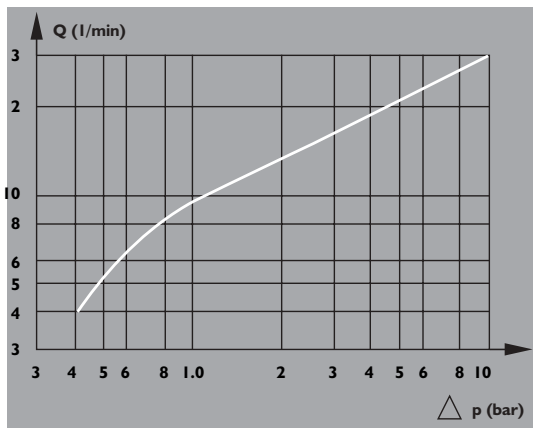


Secureflow™ pneumatic toilet flush



1. Water supply 3/4"
2. Solenoid valve, pneumatically operated
3. Vacuum breaker
4. Water outlet
5. Time delay relay
6. Push button
7. Isolating valve, not included



Data

Secureflow™ system is widely used shower and basin time flow control systems. We've applied the same pneumatic principle to toilet flushes. Operation is identical. The only differences are the use of larger bore pipework to allow for a greater volume of water at higher pressure, the inclusion of a vacuum breaker and the ability to pre-set any length of flush you require.

Code numbers

- 760200 - Secureflow™ WC Crosswall 3/4" BSP complete with DC vacuum breaker and crosswall push button 200mm.
- 760040 - Secureflow™ WC 40mm specification as above.
- 760100 - Secureflow™ WC 100mm specification as above.
- 760150 - Secureflow™ WC 150mm specification as above.
- 760250 - Secureflow™ WC 250mm specification as above.

Additional system requirements

- Maximum pressure – 10 bar
- Recommended pressures – 0.3 to 5 bar
- Typical design flow – 60 to 100 L/min
- Minimum height of solenoid valve above outlet – 0.6 m

All materials are WFBS listed (*Water Bylaws Scheme*)
WRAS Certificate No: 0112089

Description

Secureflow WC operates by way of a 'dry' system using air instead of water to activate the flush system.

With Secureflow WC, air is pushed over a diaphragm which opens the pneumatic valve. Air is then 'sucked' back through a small needle valve which can be adjusted to increase or decrease the timed flow. Secureflow WC is factory set at 7 seconds.

How to specify

Secureflow WC 3/4" BSP complete with DC vacuum breaker and crosswall push button 200mm. Code no 760200

Other crosswall lengths available

- 760040 - Secureflow™ WC crosswall controls 40mm.
- 760100 - Secureflow™ WC crosswall controls 100mm.
- 760150 - Secureflow™ WC crosswall controls 150mm.

Dimensions in mm