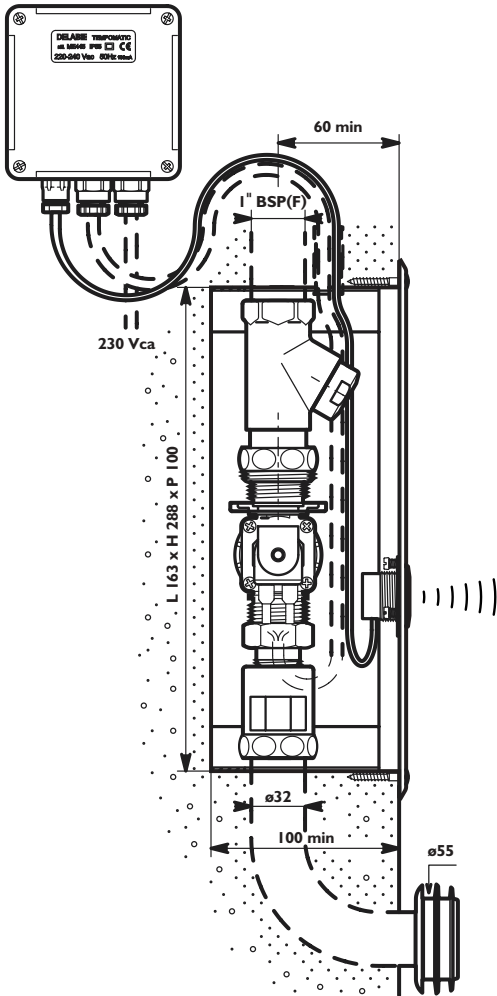


Tempomatic WC recessed



Dimensions in mm

Data

Tempomatic WC recessed electronic valve for WC, including:

- Recessed detector
- Electronic control unit with transformer 230/12V
- 1" BSP(M) solenoid valve with stop valve 1" BSP(F)
- Vacuum breaker outlet $\varnothing 32$, with connection washer $\varnothing 32/55$ and clamp.

Code numbers

462326 - Tempomatic WC flush system recessed.

Pressures and flow-rates

Dynamic pressure	bar	0.5	1	2	3
Instantaneous flow-rate	l/s	0.90	1.20	1.60	2.00
Recommended dynamic pressure:		1 to 2 bar.			
Minimum pressure		0.8			
Inlet connections:		\varnothing internal 26 minimum			
Outlet connections:		\varnothing internal 30			

Description

WC recessed electronic control. Detection of presence by infrared beam. Automatic flush without contact.

Control box incorporates a diagnostic device and a safety anti-blocking system.

Detection distance and flow-rate are adjustable by the installer.

Advantages

- Full hygiene: functioning without contact (*keeps germs at bay*).
- Vandal-proof: hidden installation in back room.
Vandal and shock proof infrared detector.
- Efficiency: powerful flush.

How to specify

Tempomatic WC 1" BSP electronic flush valve 230V/12V for recessed mounting. Code no. 462326