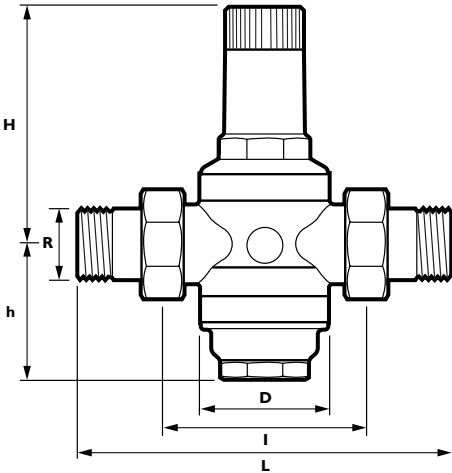


PRV06 commercial



Connection size	R	1 1/4"	1 1/2"	2"
Nominal size DN		32	40	50
Weight approx. (kg)		2.0	3.3	4.5
Dimensions(mm)				
	L	200	225	255
	I	105	130	140
	H	111	173	173
	h	64	126	126
	D	61	82	82
kvs-value		5.9	12.6	12.0
IfBt No.		P-IX 1582/1	-*	-*
DVGW-Register No.		0435	0436	0437

Data

Maximum pressure	- 16 Bar
Outlet control pressure	- 1.5-6.0 Bar
Factory setting	- 4 Bar
Minimum pressure drop	- 1 Bar
Maximum operating temperature	- 70°C (Brass Filter Bowl)

Product	DN	Connections
PRV06	32	1 1/4" BSP(M)
PRV06	40	1 1/2" BSP(M)
PRV06	50	2" BSP(M)
Pressure gauge (not included)		1/4" BSP(M)

Materials

Body	- Dezincification resistant brass
Cover	- High quality synthetic material
Diaphragm	- Fibre reinforced NBR
Valve Insert	- High quality synthetic material
Seals	- NBR
Strainer	- Stainless Steel
Filter Bowl	- Dezincification resistant brass

Code numbers

- 860232 - 1 1/4" PRV06 pressure reducing valve.
- 860240 - 1 1/2" PRV06 pressure reducing valve.
- 860250 - 2" PRV06 pressure reducing valve.
- 811000 - 1/4" BSP(M) pressure gauge.

Application

PRV06 can be used for industrial or commercial applications and to control hot & cold water, light oils & compressed air. The PRV range offers a high quality solution where the set pressure is maintained even where there is a wide inlet pressure fluctuation. Installing PRV's will prevent pressurisation damage, reduce water consumption and minimise flow noise.

Special features include

- DVGW approved
- The outlet pressure is set by turning the adjustment knob
- The set pressure is directly indicated on the set point scale
- The adjustment spring is not in contact with the potable water
- The valve insert is of high quality synthetic material and can be fully exchanged
- Integral fine filter
- Easily retrofittable to convert valve to a reverse-rinsing filter combination
- Can be retrofitted with an inlet non-return valve
- Inlet pressure balancing - fluctuating inlet pressure does not influence outlet pressure
- Servicing and maintenance without removal from pipework
- Reliable and proven in millions of applications

How to specify

Douglas 1 1/4" PRV06 pressure reducing valve
Control range 1.5. 6.0 Bar Code no. 860232
Douglas 1 1/2" PRV06 pressure reducing valve
Control range 1.5. 6.0 Bar Code no. 860240
Douglas 2" PRV06 pressure reducing valve
Control range 1.5. 6.0 Bar Code no. 860250

