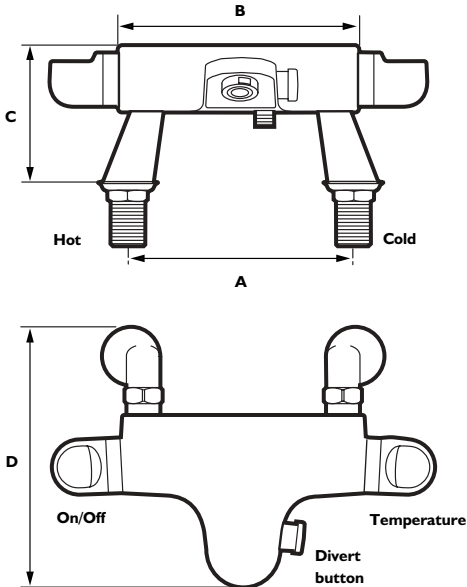
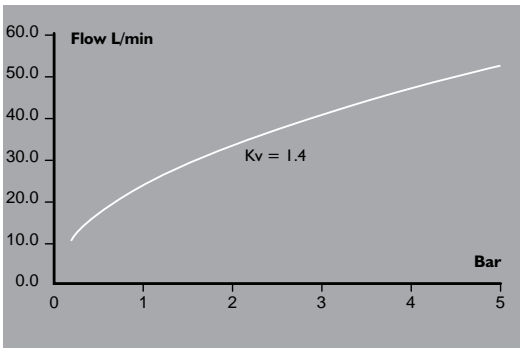


Duotherm bath/shower mixing control

- A.** 180mm
B. 185mm
C. 90mm
D. 210mm

Capacity with open discharge**Data**

Maximum temperature	– 90° C
Maximum pressure	– 10 Bar
Recommended pressure	– 0.3 to 3.0 Bar*
Maximum differential pressure	– 2:1
Normal control temperature	– 41° C showering, 44° C bathfill.

Separate control knobs for flow and thermostatic temperature control. Shower operation by use of spout diverter.

Connections.

Inlet	– 3/4" BSP(M)
Outlet shower	– 1/2" BSP(M)

N.R.V's and filters fitted to hot and cold inlets.

In the event of cold water failure the hot supply will close in less than 3 seconds (*Temperature differential 10° C*). Complies with BS EN1111.

*NOTE - at operating pressures of less than 0.3 Bar flow rates may not be sufficient for certain installations.

Where possible valves should be installed with equal water pressures. Pressures can be equalised by using Douglas pressure reducing valves. Full spares kit available.

The use of isolating ball valve strainers is recommended with these valves. Wall mounted unit available on request.

Materials

Body	– DZR brass, polished chrome
Pillar unions	– DZR brass, polished chrome
Check valves	– Acetal
Cartridge	– Hostalen PPN
Knobs	– ABS chrome plate
UK WFBS listed	– 9309042

Code numbers

- 216505 - Duotherm bath/shower mixing valve.
 216506 - Duotherm bathfill only.

Application

The Duotherm Thermostatic mixing valve is an attractive robust unit ideally suited for shower/bathfill applications in apartments, homes, hotels and students accommodation where accurate temperature control of bath and shower temperatures is essential. It is easy to install and simple to use.

In all applications the integral divert button allows for safe thermostatically controlled over bath showering when required.

How to specify

Duotherm thermostatic bath mixing valve with shower divert.
 Code no. 216505

Duotherm bath fill only Code no. 216506